

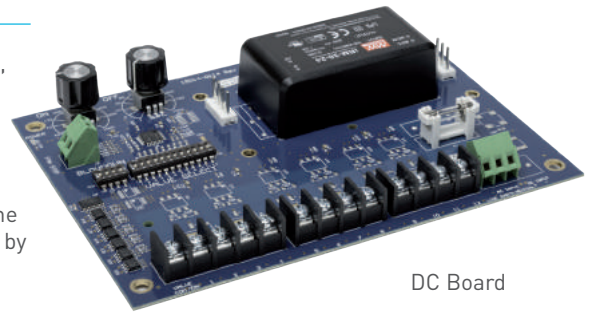
GOYEN - DS SERIES DURO SEQUENCER

PRODUCT LEAFLET

DESCRIPTION

The Duro Sequencer is an economical and durable filter cleaning control solution, for smaller collectors.

The Duro Sequencer features a robust solid state construction for excellent reliability and is designed for ease of installation and operation. The On and Off times for the Cleaning Pulse can be simply adjusted through the use of rotary analogue dials, while the microprocessor ensures the accuracy of the settings. The Duro Sequencer delivers confidence in its robustness and function as it is backed by Goyen's proven record within industry for reliability and quality construction.



DC Board

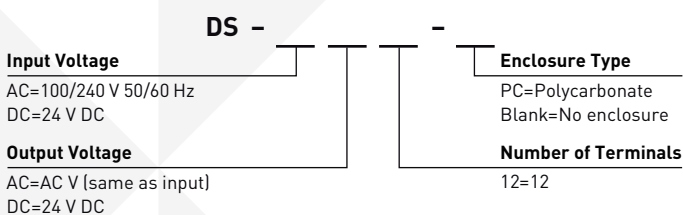
SUITABLE FOR

- Low cost with high performance and guaranteed reliability.
- Rotary Analogue Dials for quick and easy adjustment of pulse On time and Off time.
- Short circuit protection on each output.
- Simple to install and operate.
- Remote stop functionality and post-cleaning blow-down cycles.
- Conforms to the requirements of UL, CE, FCC and RCM.

TECHNICAL CHARACTERISTICS & PERFORMANCE

INPUT VOLTAGE	AC: 100/240 V @ 50/60 Hz. DC: 24 V
OUTPUT VOLTAGE	AC: 100/240 V @ 50/60 Hz (same as input).DC: 24 V
MAXIMUM INPUT POWER	AC IN, AC OUT Model: 225 W. AC IN, DC OUT Model: 25 W. DC IN, DC OUT Model: 25 W
DISCRETE SOLENOID OUTPUTS	12 outputs
ENCLOSURE	Polycarbonate or no enclosure
PROTECTION RATING	Polycarbonate: IP 66/67 & NEMA 1, 4, 4X, 6, 12 & 13
OPERATING TEMPERATURE	-20°C to 60°C (-4°F to 140°F)
ON & OFF TIME	ON: 30 ms to 1000 ms, OFF: 1 s to 1000 s
INPUTS	Voltage Free: Fan Stop

ORDER CODE - DURO SEQUENCER



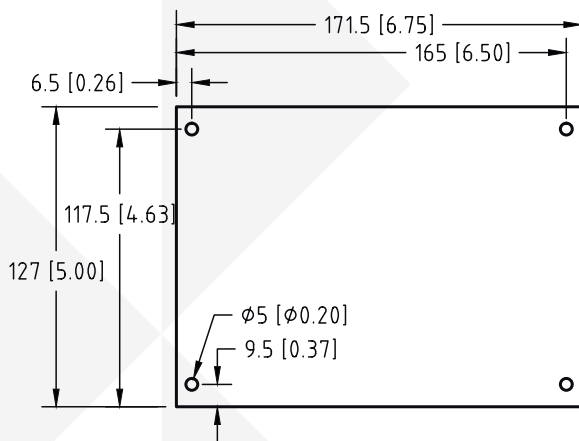
SAMPLE ORDER CODE: DS-ACDC12

[Duro Sequencer, AC input and DC output with 12 terminals and no enclosure]

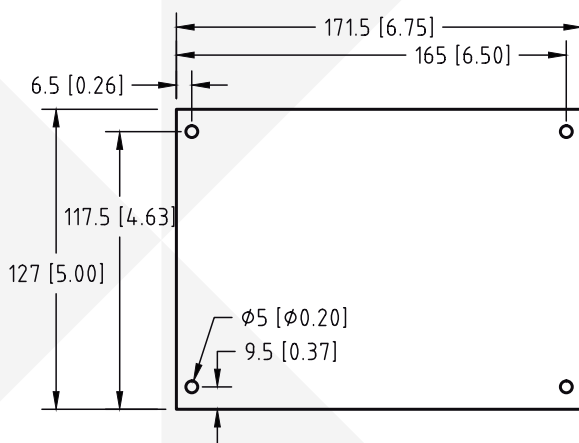
GOYEN - DS SERIES DURO SEQUENCER

PRODUCT LEAFLET

PCB BOARD DIMENSIONS - MM (INCH)



ENCLOSURE DIMENSIONS - MM (INCH)



GOYEN CONTROLS PTY LIMITED

268 MILPERRA ROAD, MILPERRA NSW 2214, AUSTRALIA WWW.GOYENMECAIR.PENTAIR.COM

Note: The information and data contained in this document are based on our general experience and are believed to be correct. They are given in good faith and are intended to provide a guideline for the selection and use of our products. Since the conditions under which our products may be used are beyond our control, this information does not imply any guarantee of final product performance and we cannot accept any liability with respect to the use of our products. The quality of our products is guaranteed under our conditions of sale. Existing industrial property rights must be observed.
PL PENTAIR GOYEN DS SERIES 3517 © 2017 Pentair. All Rights Reserved.

GOYEN - ECS/ECX SERIES

ECS CONTROL SYSTEM

PRODUCT LEAFLET

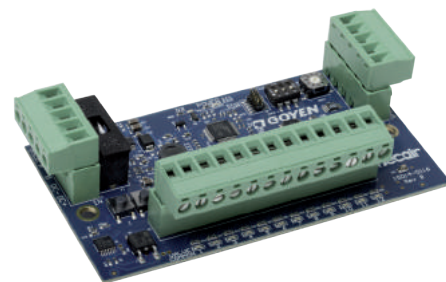
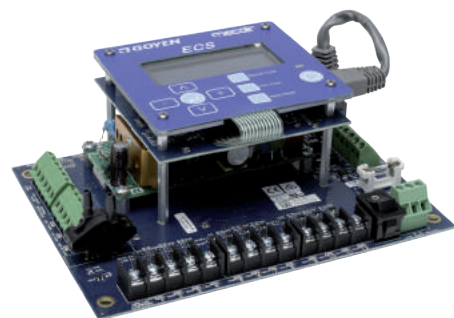
DESCRIPTION

The ECS Control System is an intelligent controller developed to provide flexible solutions for economical filter life by minimising the costs associated with maintaining and operating modern dust filtration systems. The integrated dP transducer allows the controller to determine exactly when filters require cleaning. This feature ensures the filters are cleaned only when necessary, dramatically extending filter life and lowering emissions, while significantly reducing compressed air use.

The ECS base board has 12 solenoid outputs on board. The addition of expansion cards, matched to the AC or DC output of the controller, increases this number to 360 outputs. The ECS may be ordered as the control board only or in an enclosure (polycarbonate).

FEATURES

- High-performance, cost-minimising controller.
- Expansion cards extend the control up to 360 solenoid outputs.
- Quick Pulse Technology
- Each AC output can have 10 pilot valves connected in parallel, enabling up to 3600 pilot valves to be supported. Each DC output can have 2 pilot valves connected in parallel between -40°C to 60°C (-40°F to 140°F), enabling up to 720 pilot valves to be supported. The main PCB only can have 3 DC pilot valves connected in parallel between -20°C to 60°C (-4°F to 140°F).
- Low temperature operation -40°C (-40°F)
- Automatic pilot valve detection
- Voltage-free coil error output and a visual indication on the display showing which pilot valve output has an error, enabling quick fault finding and debugging.
- Conforms to the requirements of UL, CE, FCC and RCM.



DC Board

TECHNICAL CHARACTERISTICS & PERFORMANCE

DP SUPPORT	0 to 4.5 kPa
INPUT VOLTAGE	AC: 100/240 V @ 50/60 Hz
OUTPUT VOLTAGE	AC: 100/240 V @ 50/60 Hz (same as input). DC: 24 V
MAXIMUM INPUT POWER	AC IN, AC OUT Model: 235 W. AC IN, DC OUT Model: 65 W
DISCRETE SOLENOID OUTPUTS	12 outputs, expandable up to 360 via 12 output expansion cards
ENCLOSURE	Polycarbonate or no enclosure
PROTECTION RATING	Polycarbonate: IP65 & NEMA 1, 4, 4X, 12 & 13
OPERATING TEMPERATURE	-40°C to 60°C (-40°F to 140°F)
ON & OFF TIME	ON: 30 ms to 1000 ms, OFF: 1 s to 1000 s
INPUTS	Voltage Free: Fan Stop, Low Header Alarm, Demand/Continuous
OUTPUTS	Voltage Free: Coil is Firing, Coil Alarm, High dP. Analogue Output: 4–20 mA dP signal

GOYEN - ECS/ECX SERIES

ECS CONTROL SYSTEM

PRODUCT LEAFLET

ORDER CODE - ECS SEQUENCER

ECS -	-	Enclosure type
Output Voltage		
AC=AC V [same as input] DC=24 V DC		PC=Polycarbonate Blank=No enclosure

ECX -
Output Voltage
AC=AC V [same as input] DC=24 V DC

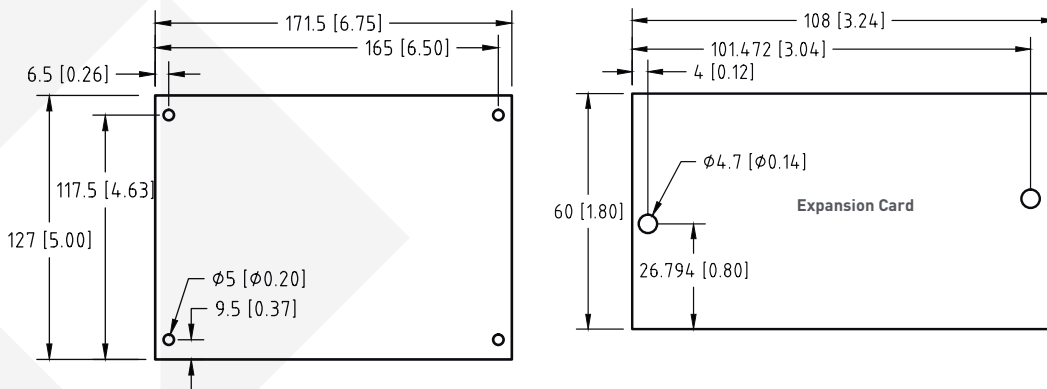
SAMPLE ORDER CODE: ECS-AC-PC

[ECS Control System, AC output with Polycarbonate enclosure]

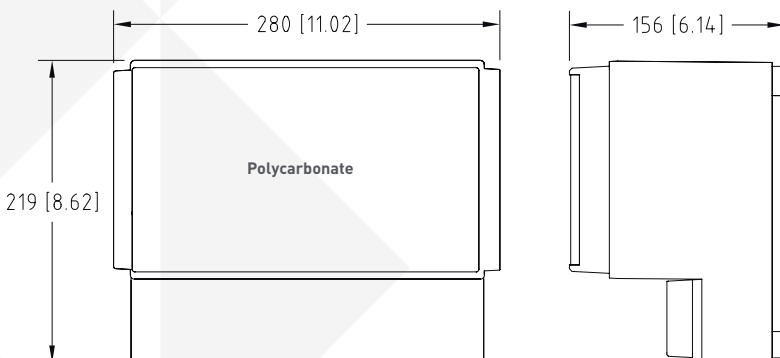
SAMPLE ORDER CODE: ECX-AC

[ECS Expansion Card, AC output]

PCB BOARD DIMENSIONS - MM (INCH)



ENCLOSURE DIMENSIONS - MM (INCH)



GOYEN CONTROLS PTY LIMITED

268 MILPERRA ROAD, MILPERRA NSW 2214, AUSTRALIA WWW.GOYENMECAIR.PENTAIR.COM

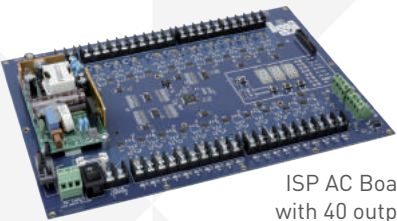
Note: The information and data contained in this document are based on our general experience and are believed to be correct. They are given in good faith and are intended to provide a guideline for the selection and use of our products. Since the conditions under which our products may be used are beyond our control, this information does not imply any guarantee of final product performance and we cannot accept any liability with respect to the use of our products. The quality of our products is guaranteed under our conditions of sale. Existing industrial property rights must be observed.
PL PENTAIR GOYEN ECS/ECX SERIES 3517 © 2017 Pentair. All Rights Reserved.

GOYEN - IS/ISP SERIES INTEGRATO SEQUENCER

PRODUCT LEAFLET



ISP AC Board
with 12 outputs



ISP AC Board
with 40 outputs



IS
interface screen



ISP
interface screen

DESCRIPTION

The Integrato Sequencer (IS & ISP) features integrated controls intended for use with larger reverse pulse jet filter cleaning systems. The IS & ISP have been designed to operate across a wide range of environmental conditions. It is suitable for use with all types of filters, including bags, cartridges, sintered metal or ceramic filters.

The IS sequencer operates in continuous mode, whereas the ISP has a built-in differential pressure sensor, allowing this sequencer to be demand driven.

IS & ISP may be ordered as the sequencer only or in an enclosure (polycarbonate).

FEATURES

- Low temperature operation -40°C (-40°F)
- Automatic valve detection.
- Voltage-free coil error output and a visual indication on the display showing which pilot valve output has an error, enabling quick fault finding and debugging.
- Controls up to 40 pilot valves. Each AC output can have 10 pilot valves connected in parallel, enabling up to 400 pilot valves to be supported. Each DC output can have 3 pilot valves connected in parallel between -20°C to 60°C (-4°F to 140°F), enabling up to 120 pilot valves to be supported and 2 pilot valves connected in parallel between -40°C to 60°C (-40°F to 140°F), enabling up to 80 pilot valves to be supported.
- Conforms to the requirements of UL, CE, FCC and RCM.

TECHNICAL CHARACTERISTICS & PERFORMANCE

DP SUPPORT	0 to 4.5 kPa
INPUT VOLTAGE	AC: 100/240 V @ 50/60 Hz
OUTPUT VOLTAGE	AC: 100/240 V @ 50/60 Hz (same as input) DC: 24 V
MAXIMUM INPUT POWER	AC IN, AC OUT Model: 225 W AC IN, DC OUT Model: 65 W
DISCRETE SOLENOID OUTPUTS	12, 20 or 40 outputs
ENCLOSURE	Polycarbonate or no enclosure
PROTECTION RATING (LARGE ENCLOSURE)	Polycarbonate: IP 66/67 & NEMA 1, 3, 3S, 4, 4X, 6, 6P & 12
PROTECTION RATING (SMALL ENCLOSURE)	Polycarbonate: IP65 & NEMA 1, 4, 4X, 12 & 13
OPERATING TEMPERATURE	-40°C to 60°C (-40°F to 140°F)
ON & OFF TIME	ON: 30 ms to 1000 ms, OFF: 1 s to 1000 s
INPUTS	Voltage Free: Fan Stop, Low Header Alarm
OUTPUTS	Voltage Free: Coil Error Analogue Output: 4–20 mA dP signal on the ISP

GOYEN - IS/ISP SERIES INTEGRATO SEQUENCER

PRODUCT LEAFLET

ORDER CODE - INTEGRATO SEQUENCER

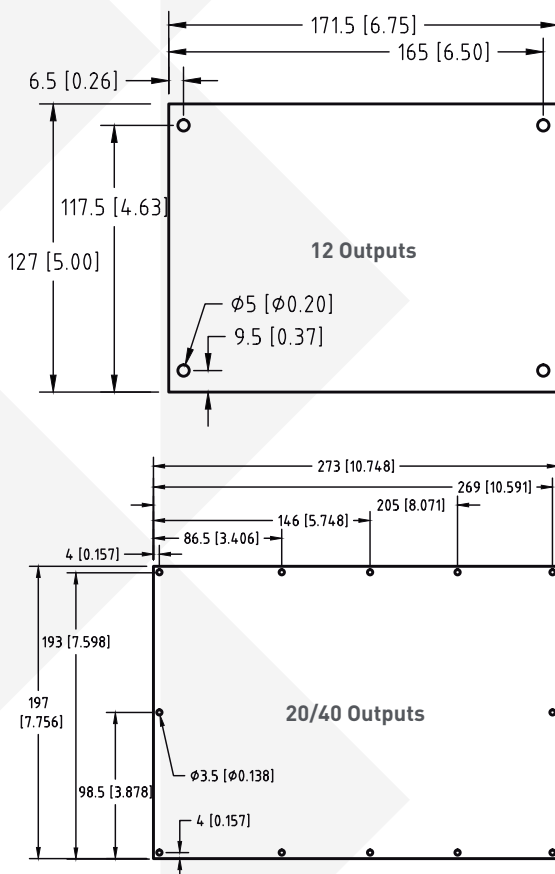
Model	-	-	Enclosure Type
IS=no dP sensor			PC=Polycarbonate enclosure
ISP=with dP sensor			Blank=No enclosure
Output Voltage			Number of Terminals
AC=AC V (same as input)			12=12
DC=24 V DC			20=20
			40=40

SAMPLE ORDER CODE: IS-DC12

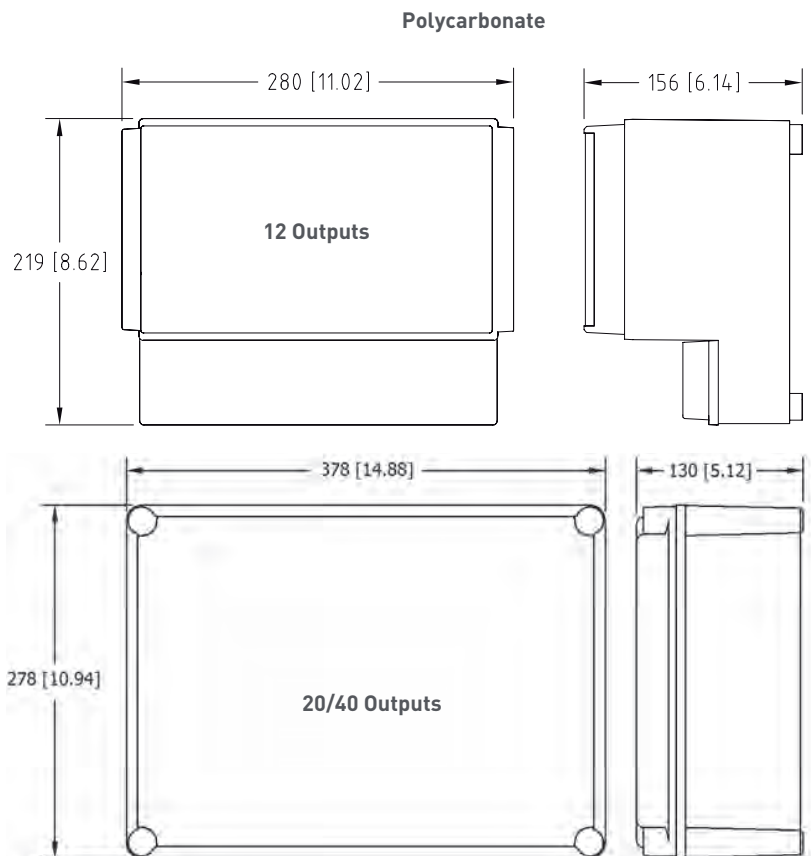
(Integrato Sequencer, DC output with 12 terminals and no enclosure)

The Integrato Sequencer Display module can be ordered using the order code: ISD

PCB BOARD DIMENSIONS - MM (INCH)



ENCLOSURE DIMENSIONS - MM (INCH)



GOYEN CONTROLS PTY LIMITED

268 MILPERRA ROAD, MILPERRA NSW 2214, AUSTRALIA WWW.GOYENMECAIR.PENTAIR.COM

Note: The information and data contained in this document are based on our general experience and are believed to be correct. They are given in good faith and are intended to provide a guideline for the selection and use of our products. Since the conditions under which our products may be used are beyond our control, this information does not imply any guarantee of final product performance and we cannot accept any liability with respect to the use of our products. The quality of our products is guaranteed under our conditions of sale. Existing industrial property rights must be observed. PL PENTAIR GOYEN IS/ISP SERIES 3517 © 2017 Pentair. All Rights Reserved.